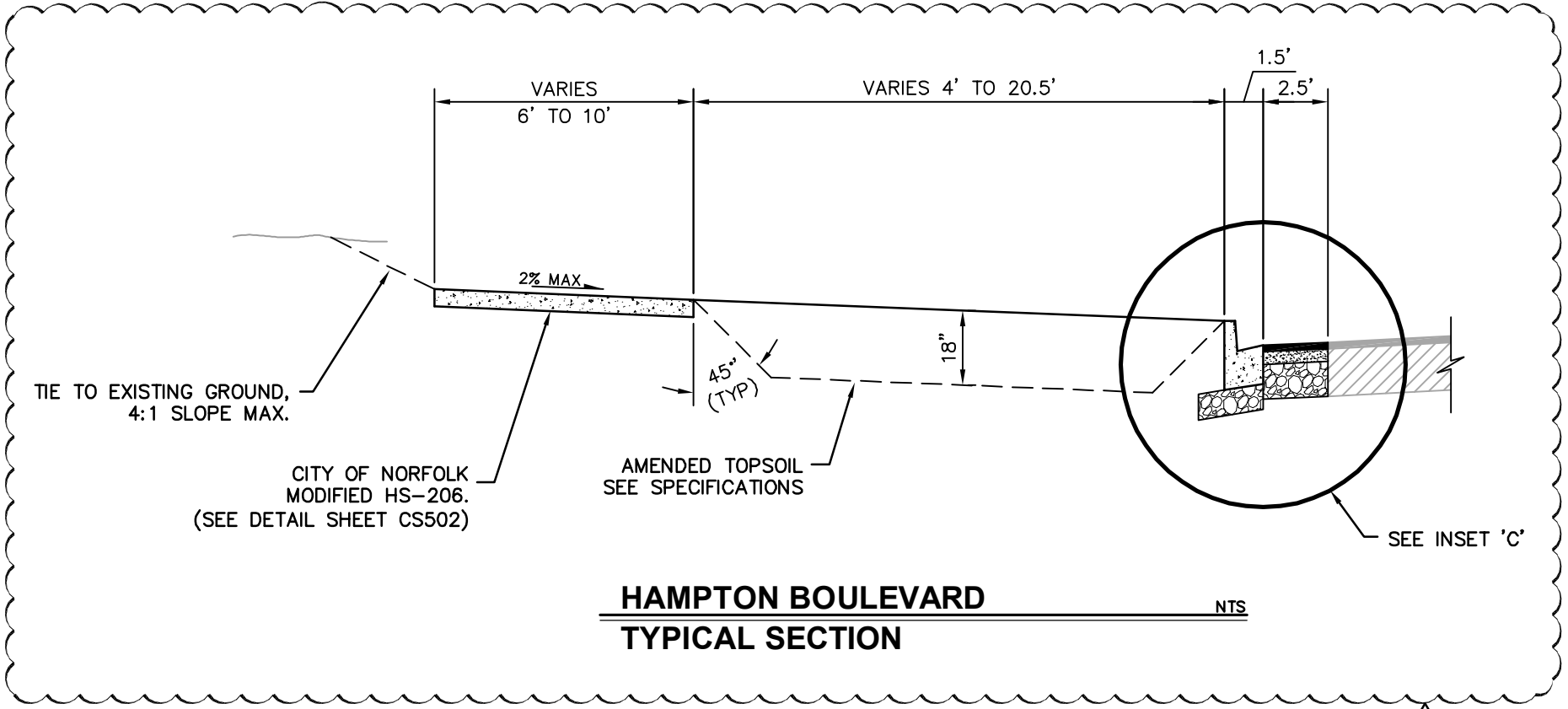


User: jay.riley Date/Time: Feb 9, 2010 - 1:39pm Filename: K:\HRO_Civil\116399001 - Lamberts Point 26th Street\CADD\116399001-CA004.dwg



TIE TO EXISTING GROUND,
4:1 SLOPE MAX.

CITY OF NORFOLK
MODIFIED HS-206.
(SEE DETAIL SHEET CS502)

AMENDED TOPSOIL
SEE SPECIFICATIONS

SEE INSET 'C'

HAMPTON BOULEVARD
TYPICAL SECTION

NTS

1

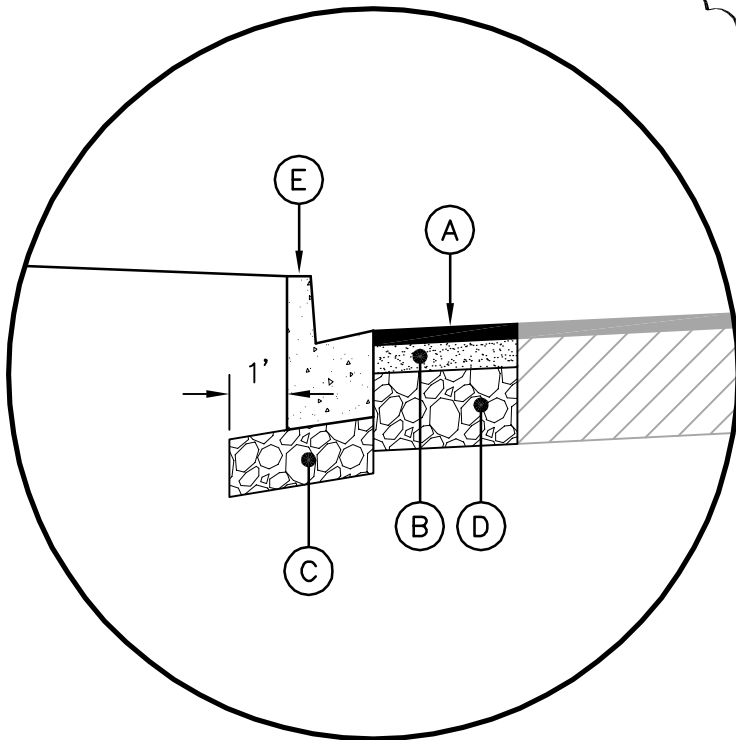


**Kimley-Horn
and Associates, Inc.**

DRAWING TITLE:
HAMPTON BOULEVARD
TYPICAL SECTION

ATTACHMENT TO:
LAMBERTS POINT - 26TH STREET IMPROVEMENTS
FEB 1, 2010 CONSTRUCTION PLANS

DWG. NO.:
SKC-1
DATE: 2/9/2010



INSET 'C'
NTS

TYPICAL PAVEMENT LEGEND

- (A) 1½" ASPHALT CONCRETE SURFACE COURSE
TYPE SM-9.5A
- (B) 3.0" ASPHALT CONCRETE BASE COURSE
TYPE BM-25.0
- (C) 6.0" AGGREGATE BASE MATERIAL, SIZE 21A OR 21B
- (D) 8.0" AGGREGATE BASE MATERIAL, SIZE 21A OR 21B
- (E) VDOT MODIFIED CG-6 (SEE DETAIL SHEET)



**Kimley-Horn
and Associates, Inc.**

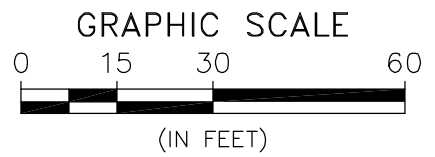
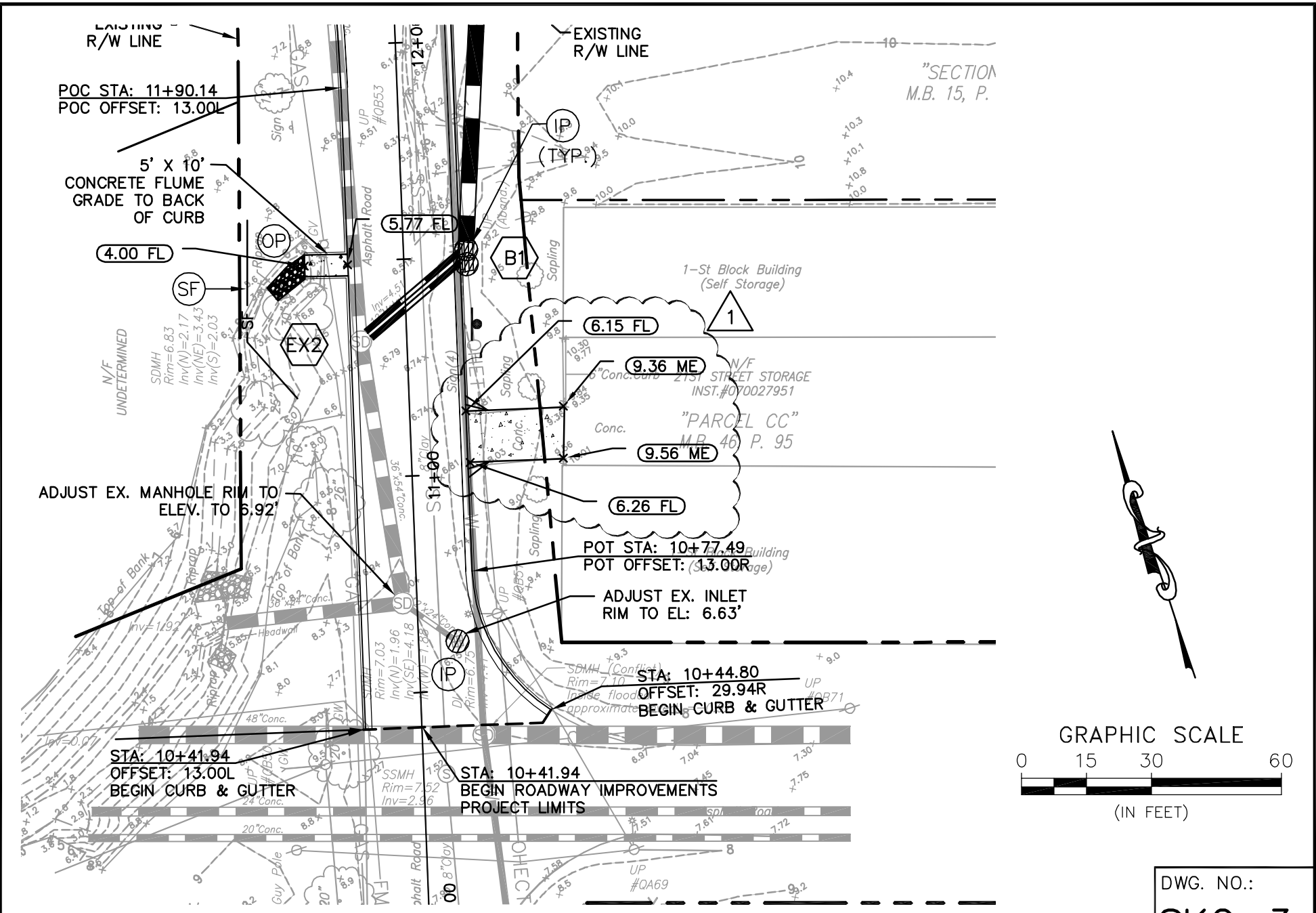
DRAWING TITLE:
HAMPTON BOULEVARD
INSET 'C'

ATTACHMENT TO:
LAMBERTS POINT - 26TH STREET IMPROVEMENTS
FEB 1, 2010 CONSTRUCTION PLANS

DWG. NO.:

SKC-2

DATE: 2/9/2010

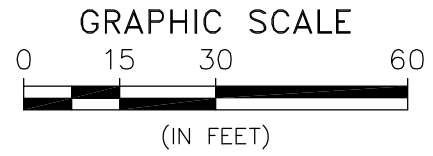
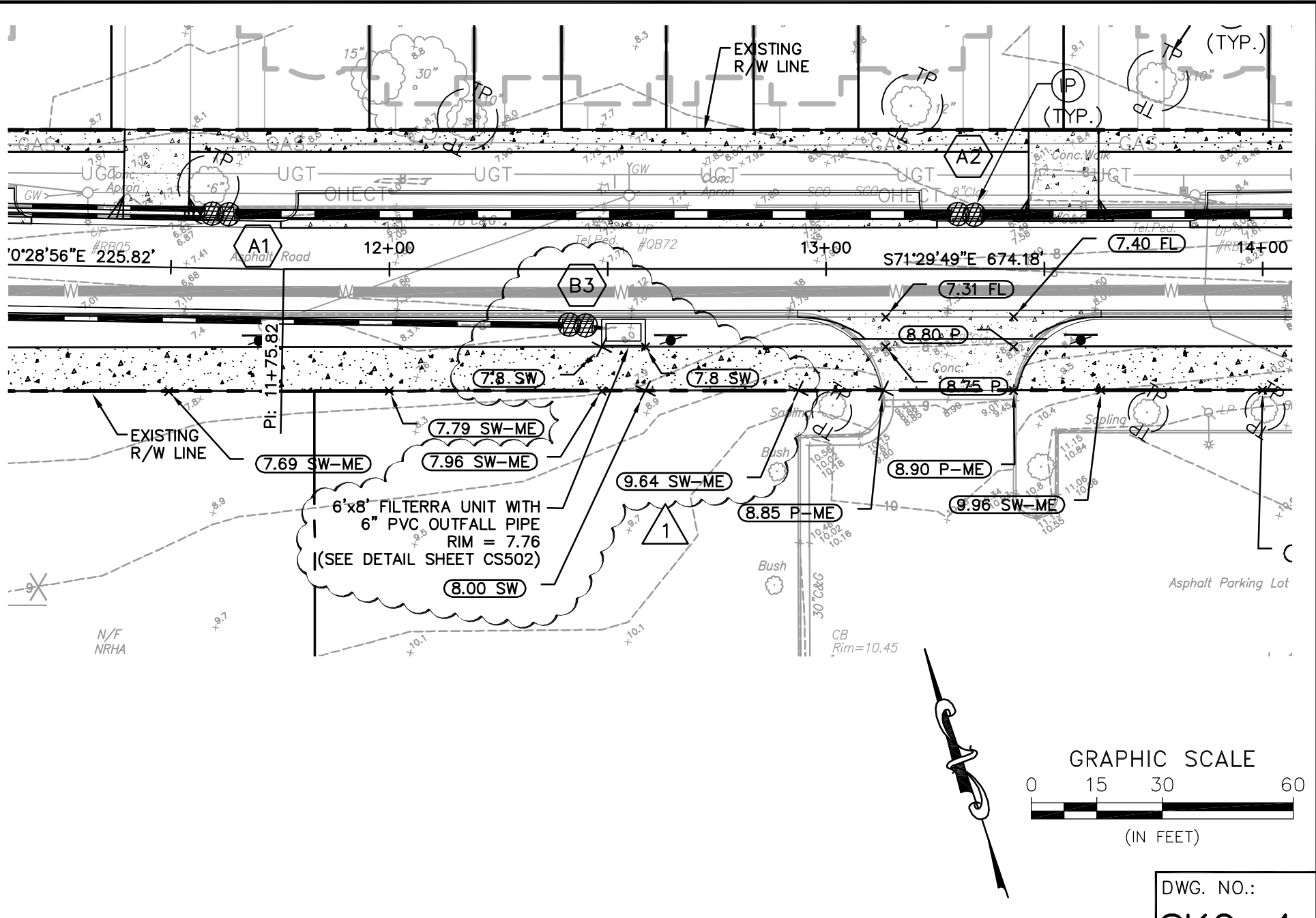


**Kimley-Horn
and Associates, Inc.**
KHA JN: 116399001

DRAWING TITLE:
BOWDENS FERRY ROAD
GRADING AND DRAINAGE

ATTACHMENT TO:
LAMBERTS POINT - 26TH STREET IMPROVEMENTS
FEB 1, 2010 CONSTRUCTION PLANS

DWG. NO.:
SKC-3
DATE: 2/9/2010



**Kimley-Horn
and Associates, Inc.**

DRAWING TITLE:
W. 26TH. STREET
GRADING AND DRAINAGE

ATTACHMENT TO:
LAMBERTS POINT - 26TH STREET IMPROVEMENTS
FEB 1, 2010 CONSTRUCTION PLANS

DWG. NO.:
SKC-4
DATE: 2/9/2010